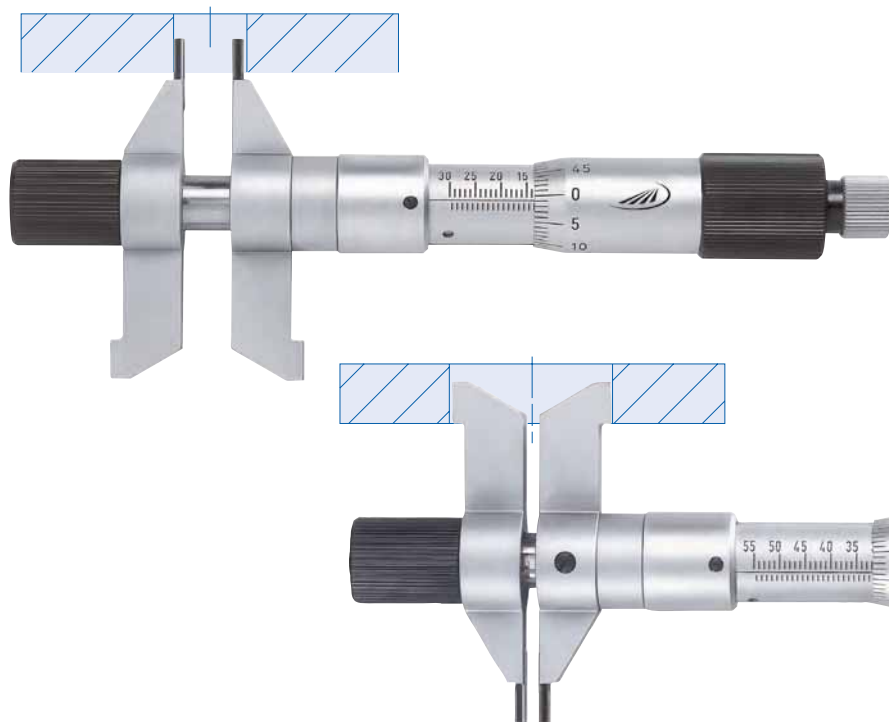




0884 Internal micrometer with measuring jaws



Model

DIN
863-4

- DIN 863-4
- Reading: 0.01 mm
- Reading parts are satin chrome finished
- Forward friction coupling
- Cylindrical carbide tipped measuring faces
- Measuring jaws on both sides (measuring ranges 5-30 mm, 30-55 mm)
- Divisions on both sides

Delivery

- Wooden case

✂	¼	Measuring range mm	Thimble dia. mm	Pitch mm	Error limit µm	Order no.	List price EUR
		5 - 55	20	0.5	2.5	0884 501	885.00

0885 Internal micrometers with measuring jaws



0885 502

Model

- Factory standard
- Reading: 0.01 mm
- Reading parts and body are satin chrome finished
- Ratchet stop
- Carbide measuring faces
- Cylindrical carbide tipped measuring faces

Delivery

- Plastic case

✂	¼	Measuring range mm	Thimble dia. mm	Pitch mm	Order no.	List price EUR
		5 - 30	17	0.5	0885 501*	183.00
		25 - 50	17	0.5	0885 502	203.00
		50 - 75	17	0.5	0885 503	213.00
		75 - 100	17	0.5	0885 504	255.00
		100 - 125	17	0.5	0885 505	324.00
		125 - 150	17	0.5	0885 506	374.00
		150 - 175	17	0.5	0885 507	476.00
		175 - 200	17	0.5	0885 508	540.00